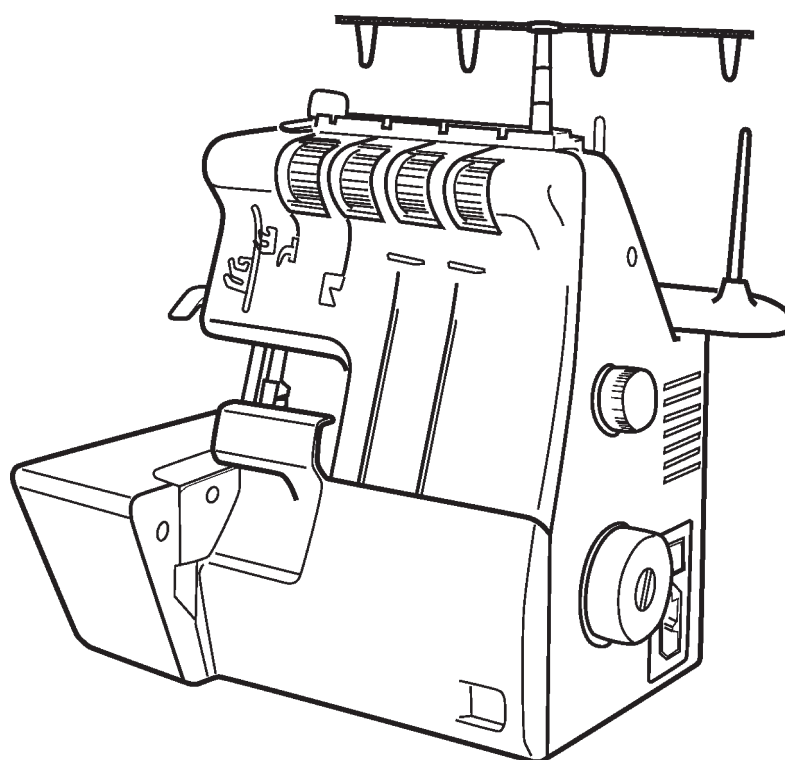
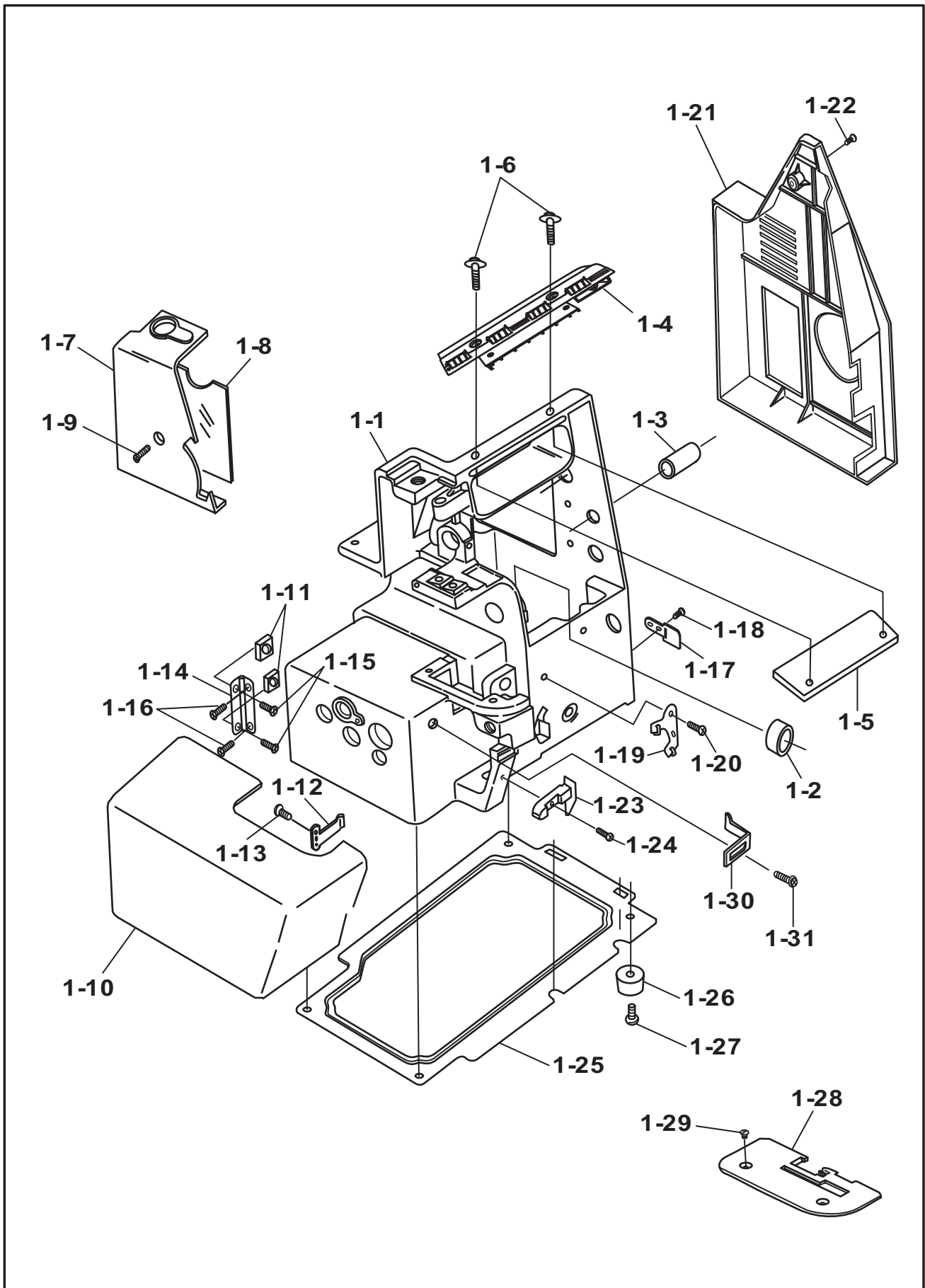


Parts List



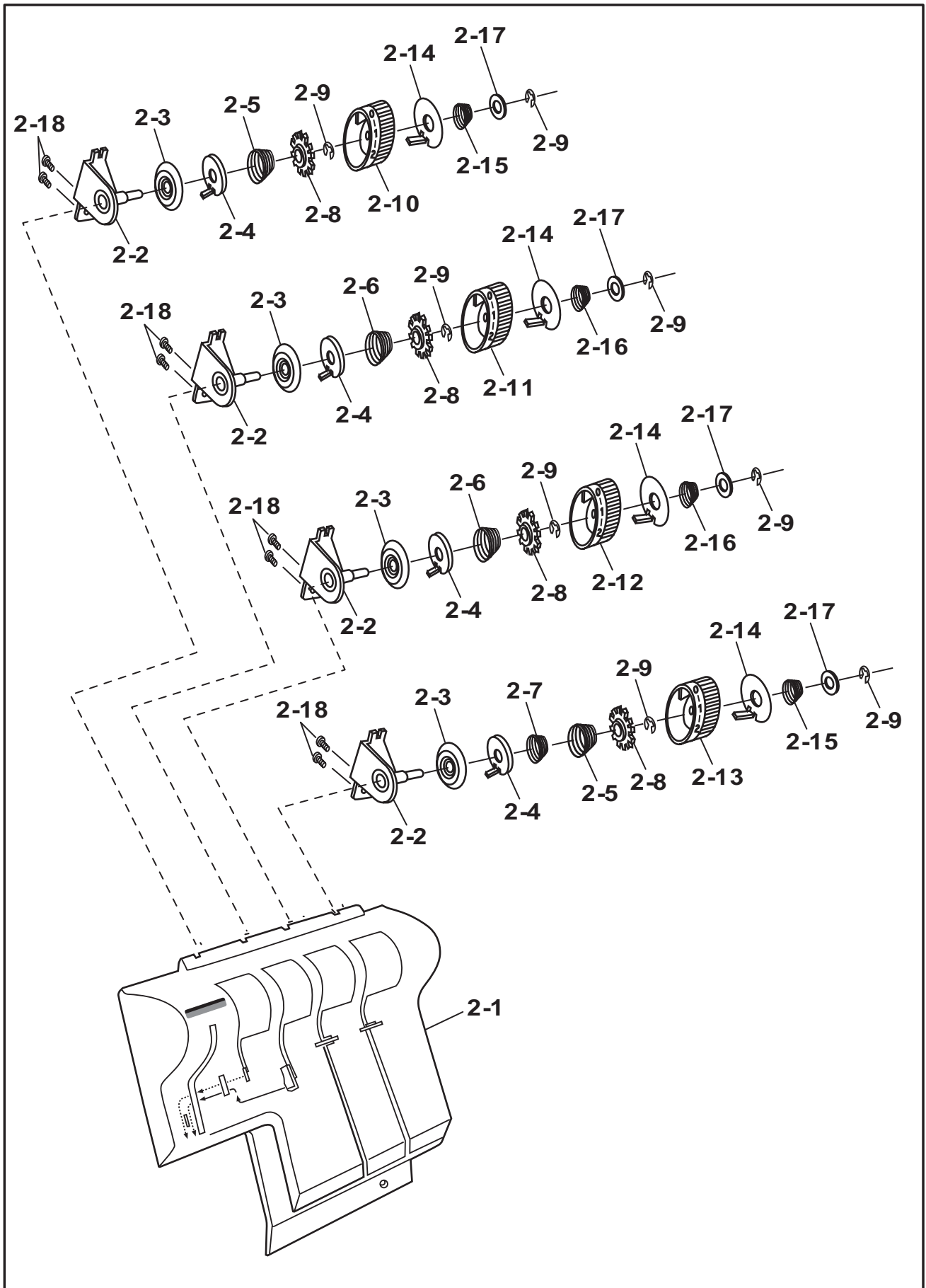
Huskylock 901

1. Machine body components



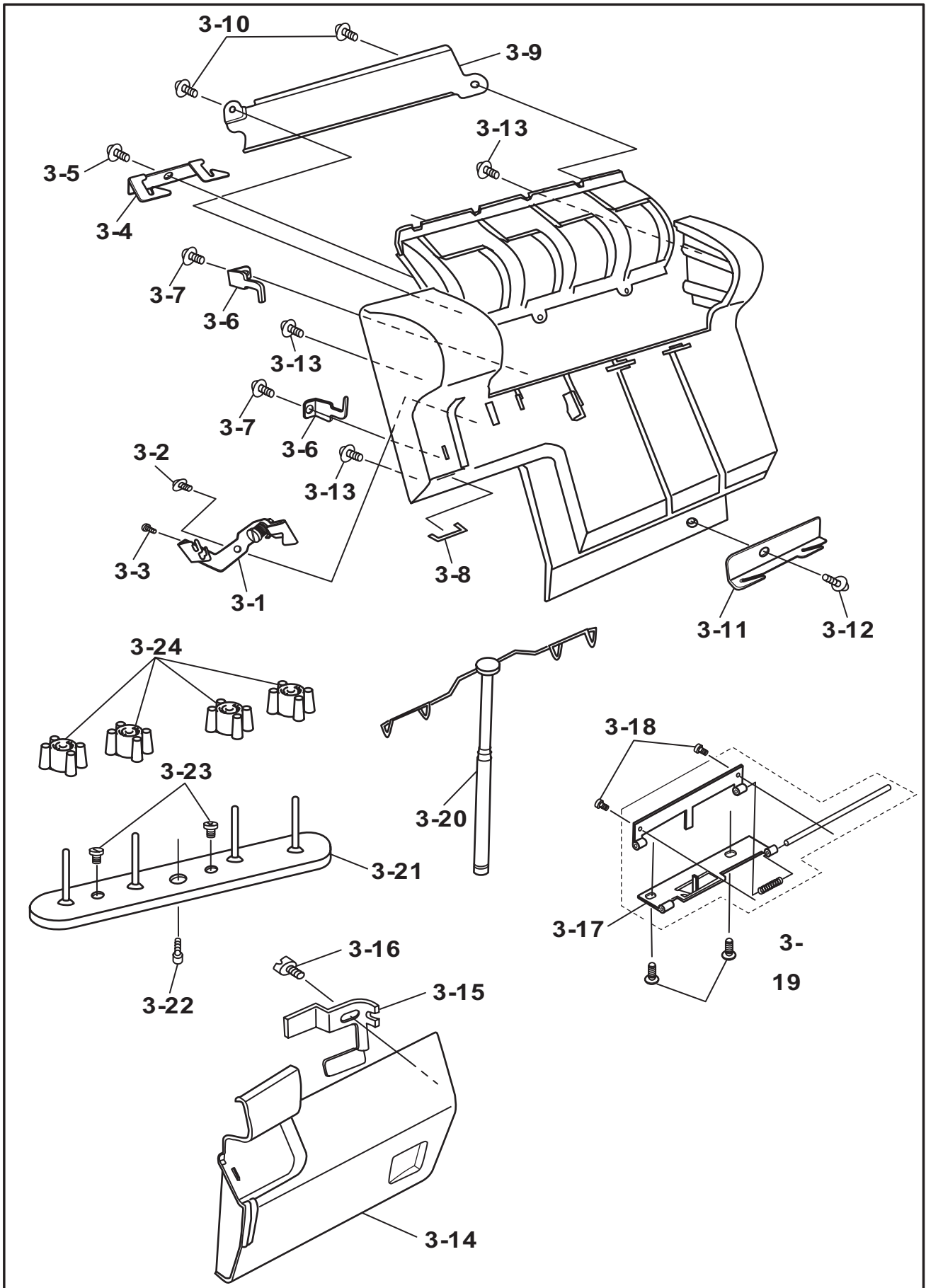
Pos	Part Number	Description
1-1	-	-
1-2	-	-
1-3	-	-
1-4	416 01 01-01	Handle
1-5	416 01 02-01	Front panel plate
1-6	N/A	Adjustable screw
1-7	416 00 67-01	Face cover
1-8	416 00 68-01	Face cover seat
1-9	416 00 11-01	Set screw
1-10	416 00 99-01	Bed cover
1-11	416 01 57-01	Nut
1-12	416 00 87-01	Stopper spring
1-13	416 00 59-01	Set screw
1-14	416 00 69-01	Hinge ass'y
1-15	416 00 54-01	Set screw
1-16	N/A	Set screw
1-17	N/A	Cover hook-A
1-18	415 51 07-01	Set screw
1-19	416 01 49-01	Thread guide-E
	416 10 74-01	Thread guide-E
1-20	N/A	Set screw
1-21	416 10 75-01	Motor cover
1-22	416 00 11-01	Set screw
1-23	416 00 65-01	Bed stopper
1-24	416 00 11-01	Set screw
1-25	N/A	Base
1-26	416 00 61-01	Cushion rubber
1-27	416 00 21-01	Set screw
1-28	416 01 32-01	Needle plate ass'y
1-29	416 00 05-01	Set screw
1-30	415 50 18-01	Control for feed bar
1-31	415 50 14-01	Screw

2. Tension dial



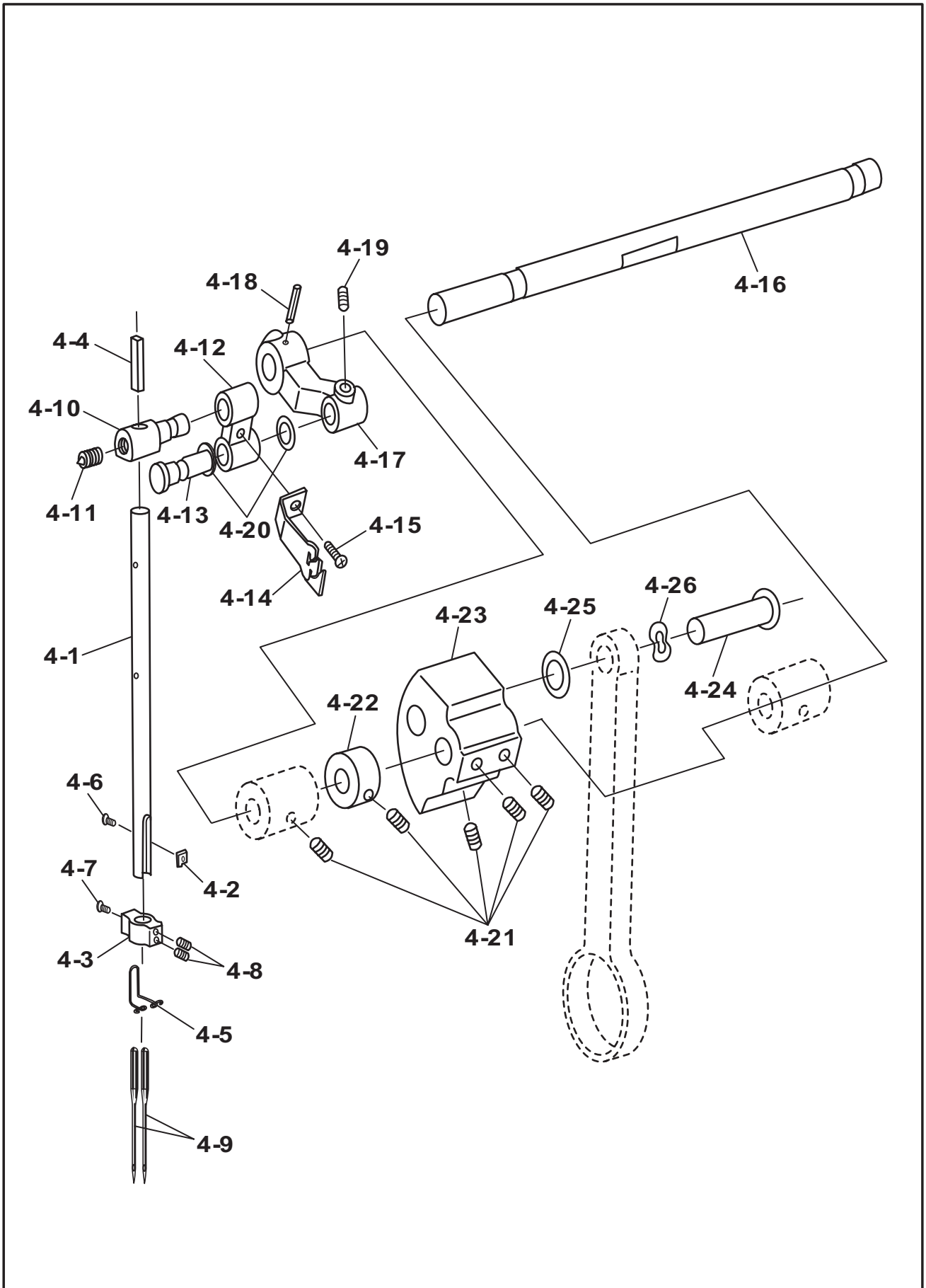
Pos	Part Number	Description
2-1	416 01 14-01	Front panel
2-2	416 01 33-01	Tension bracet
2-3	416 01 41-01	Tension disc
2-4	415 50 69-01	Tension disk bracket
2-5	415 50 70-01	Tension spring -A-
2-6	416 01 13-01	Tension spring -B-
2-7	415 50 71-01	Tension spring -C-
2-8	415 50 72-01	Tension nut
2-9	416 00 32-01	E-Ring
2-10	416 01 15-01	Tension dial
2-11	416 01 16-01	Tension dial
2-12	416 01 17-01	Tension dial
2-13	416 01 18-01	Tension dial
2-14	415 50 98-01	Tension disk regulator plate
2-15	416 01 50-01	Tension plate
2-16	415 50 79-01	Tension plate
2-17	416 00 43-01	Washer
2-18	416 00 17-01	Set screw

3. Front panel



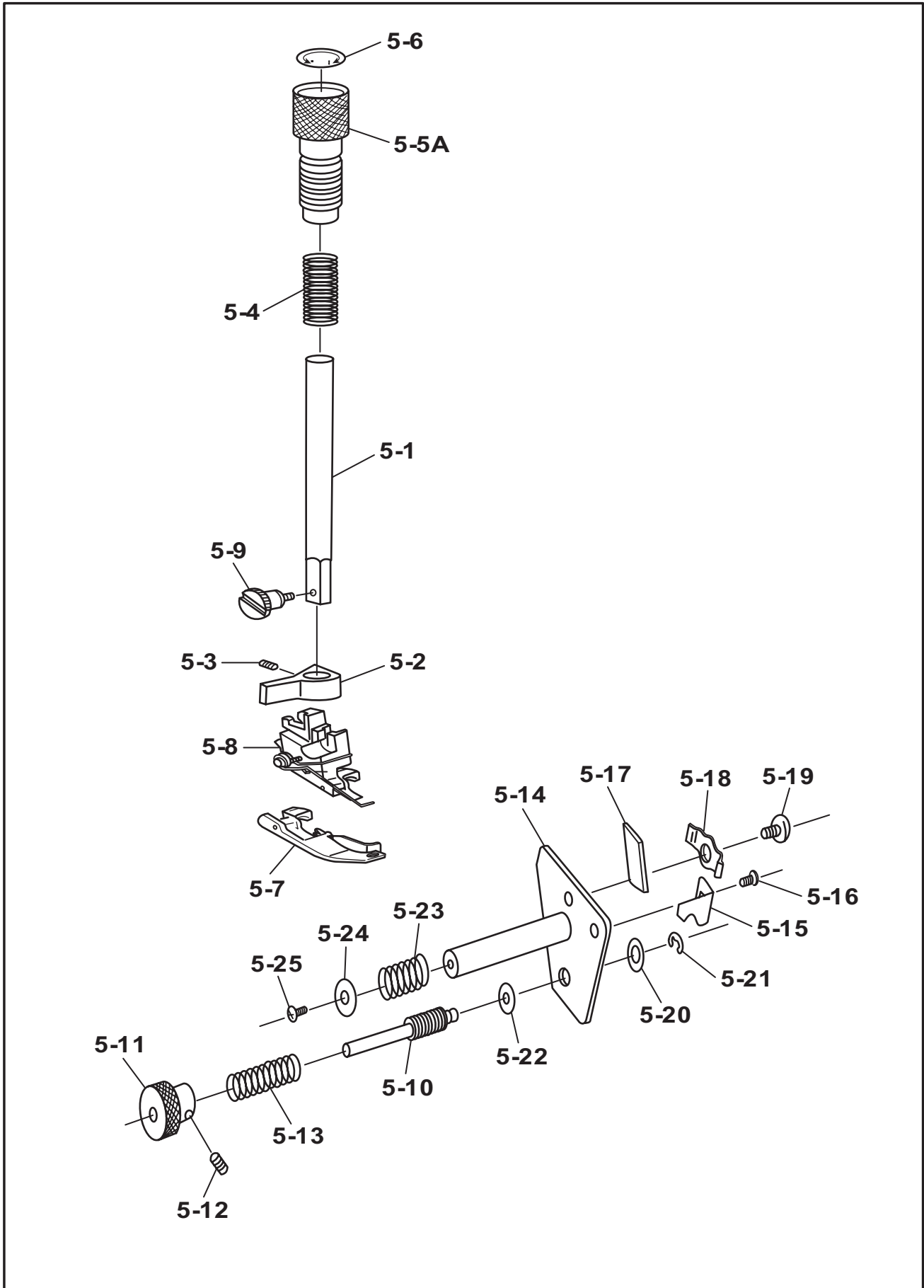
Pos	Part Number	Description
3-1	416 01 03-01	Thread guide -D-
3-2	N/A	Set screw
3-3	N/A	Set screw
3-4	N/A	Thread guide -A-
3-5	416 00 17-01	Set screw
3-6	N/A	Take-up lever thread guide
3-7	N/A	Set screw
3-8	N/A	Thread guide -No.2
3-9	N/A	Back panel of front panel
3-10	N/A	Set screw
3-11	416 00 11-01	Set screw
3-12	N/A	Thread guide -B-
3-13	N/A	Set screw
3-14	416 01 34-01	Front cover
3-15	416 00 86-01	Cover hook-B
3-16	N/A	Set screw
3-17	416 00 63-01	Front cover hinge
3-18	416 00 17-01	Set screw
3-19	N/A	Set screw
3-20	416 00 91-01	Telescopic thread stand
3-21	416 01 42-01	Spool pin stand
3-22	416 00 23-01	Set screw
3-23	415 50 07-01	Set screw
3-24	415 50 10-01	Thread holder

4. Upper shaft & Needle bar



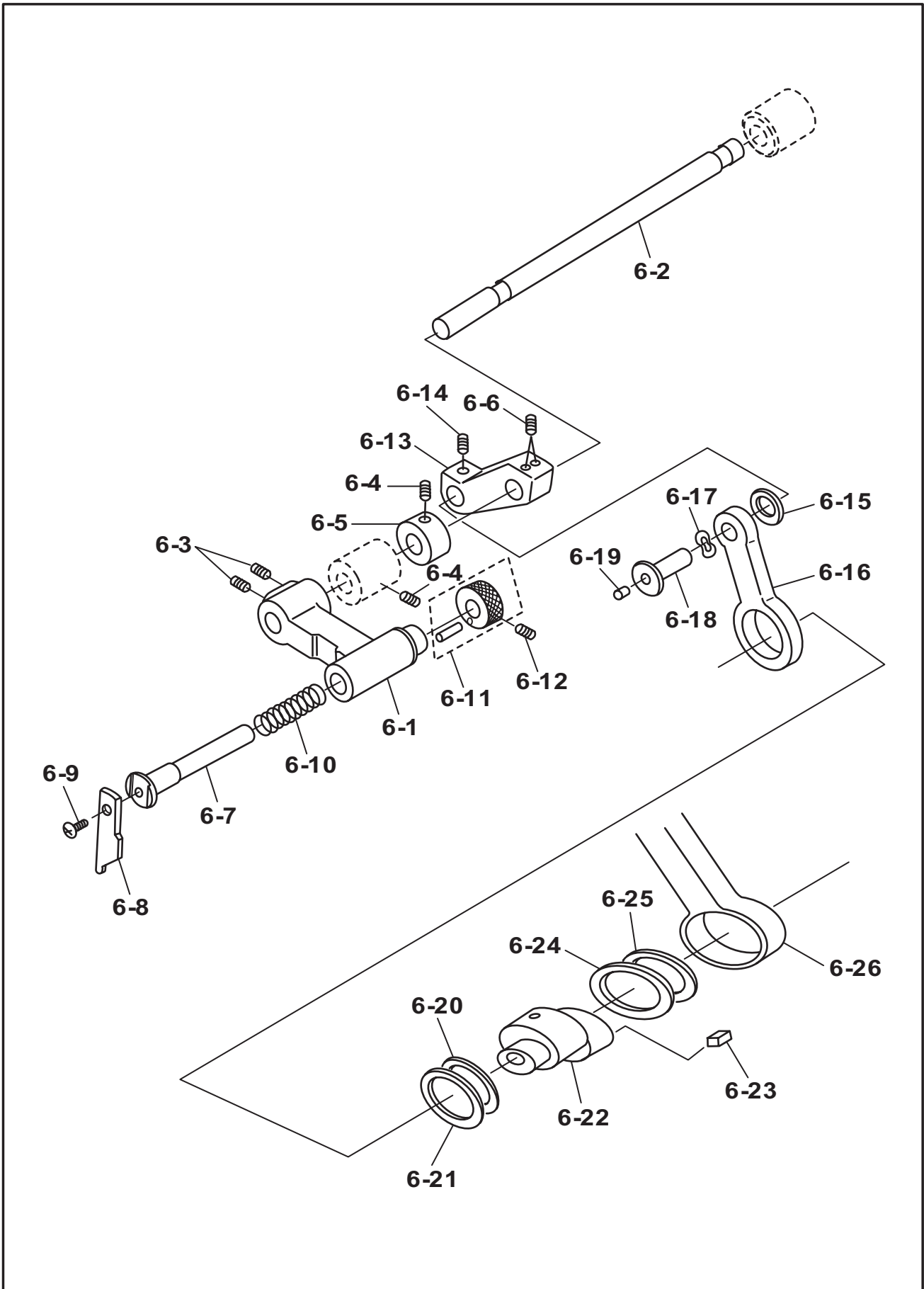
Pos	Part Number	Description
4-1	415 52 80-01	Needle bar
4-2	415 52 86-01	Needle stopper
4-3	415 52 88-01	Needle clamp
4-4	N/A	Felt
4-5	415 52 90-01	Needle bat thread guide
4-6	416 00 10-01	Set screw
4-7	416 00 06-01	Set screw
4-8	416 00 04-01	Set screw
4-9	411 31 04-01	Needle 5x # 80
4-10	415 52 83-01	Needle bar holder
4-11	N/A	Set screw
4-12	N/A	Needle bar drive link
4-13	415 52 82-01	Needle bar drive arm pin
4-14	416 01 09-01	Take-up lever
4-15	416 00 07-01	Set screw
4-16	N/A	Upper shaft
4-17	415 52 95-01	Needle drive arm
4-18	N/A	Spring pin
4-19	N/A	Set screw
4-20	N/A	Washer
4-21	416 00 01-01	Set screw
4-22	415 51 88-01	Collar
4-23	N/A	Balance
4-24	N/A	Upper shaft drive link pin
4-25	N/A	Washer
4-26	N/A	Wave washer

5. Presser bar & Cutting width



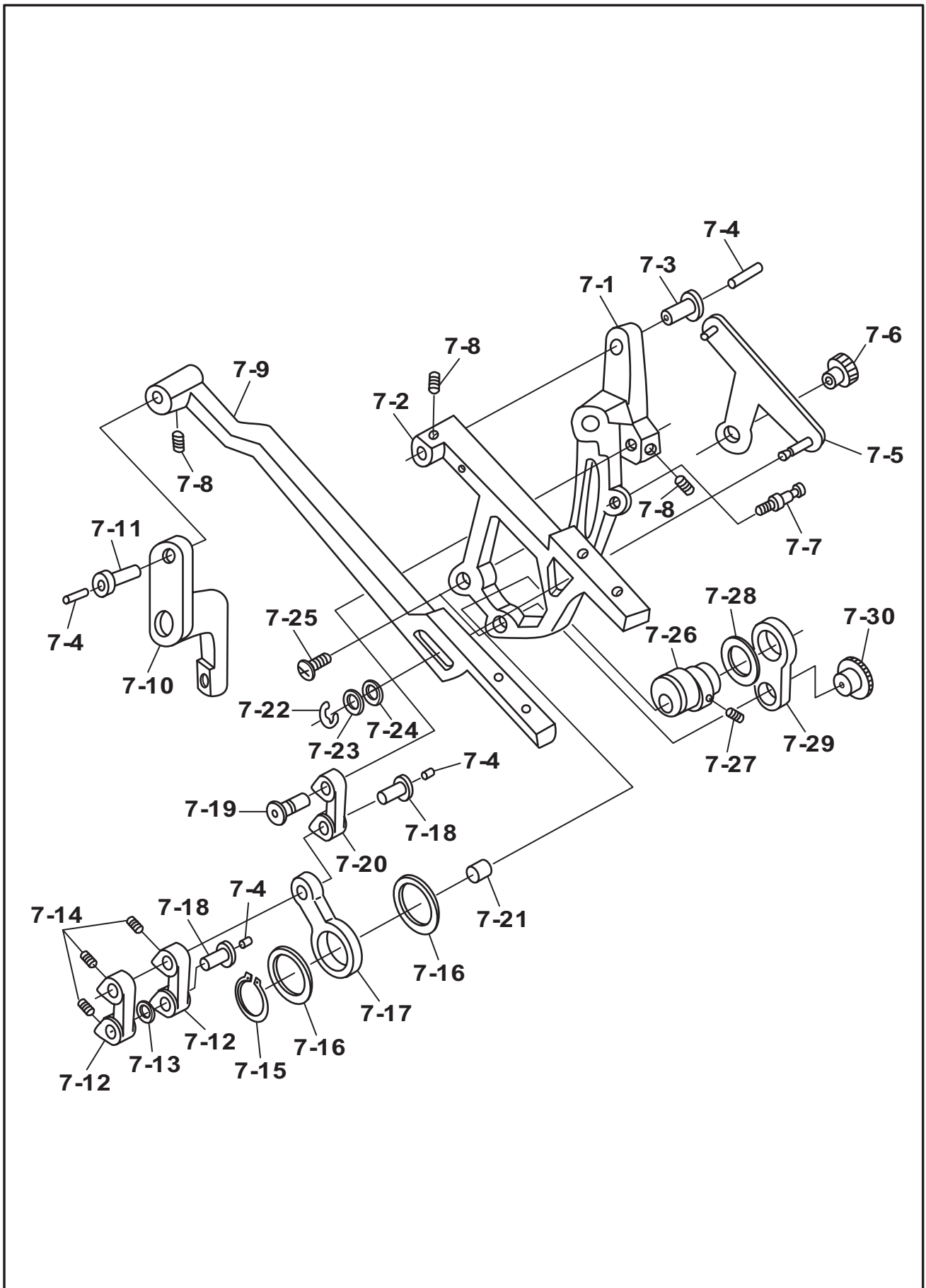
Pos	Part Number	Description
5-1	415 51 72-01	Presser bar
5-2	415 51 75-01	Presser bar bracket
5-3	416 00 01-01	Set screw
5-4	N/A	Presser spring
5-5A	N/A	Presser regulator
5-6	N/A	Presser regulator screw panel
5-7	416 01 10-01	Sewing foot
5-8	416 01 46-01	Sewing foot holder
5-9	416 00 25-01	Set screw
5-10	416 00 84-01	Adjusting screw
5-11	416 00 83-01	Lower cutter adjusting dial
5-12	415 51 16-01	Set screw
5-13	416 00 82-01	Lower cutter spring
5-14	416 00 94-01	Bottom messer stand set
5-15	N/A	Cut guide
5-16	415 51 61-01	Set screw
5-17	415 50 84-01	Bottom messer
5-18	416 10 86-01	Messer stand
5-19	415 51 87-01	Set screw
5-20	416 00 44-01	Washer
5-21	416 00 33-01	E-Ring
5-22	N/A	Washer
5-23	N/A	Lower cutter stand spring
5-24	N/A	Washer
5-25	416 00 13-01	Set screw

6. Cutting width



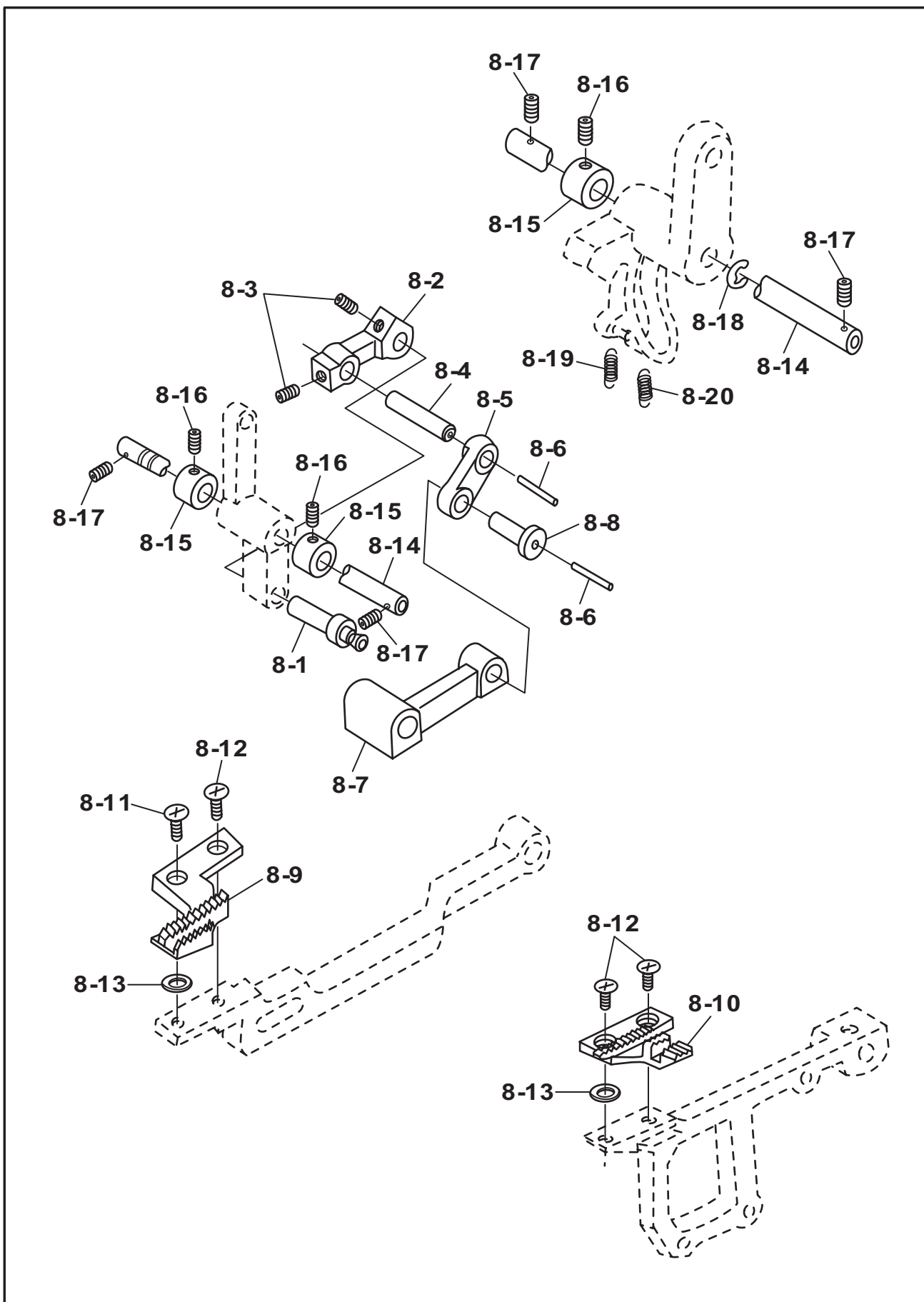
Pos	Part Number	Description
6-1	N/A	Upper cutter lever
6-2	415 51 89-01	Cutter drive shaft
6-3	415 52 37-01	Set screw
6-4	416 00 01-01	Set screw
6-5	415 51 88-01	Collar
6-6	N/A	Set screw
6-7	415 51 83-01	Cutter stand shaft
6-8	415 51 86-01	Upper cutter
6-9	415 51 87-01	Set screw
6-10	415 51 84-01	Cutter pressure spring
6-11	415 51 85-01	Cutter rotating dial
6-12	415 51 16-01	Set screw
6-13	N/A	Cutter drive shaft
6-14	N/A	Screw
6-15	N/A	Washer
6-16	N/A	Cutter link
6-17	N/A	Wave washer
6-18	N/A	Driver link pin
6-19	N/A	Felt
6-20	N/A	Washer
6-21	N/A	Washer
6-22	N/A	Messer drive cam
6-23	N/A	Felt
6-24	N/A	Washer
6-25	N/A	Washer
6-26	415 52 72-01	Upper shaft drive link

7. Differential feed & Feed dog ①



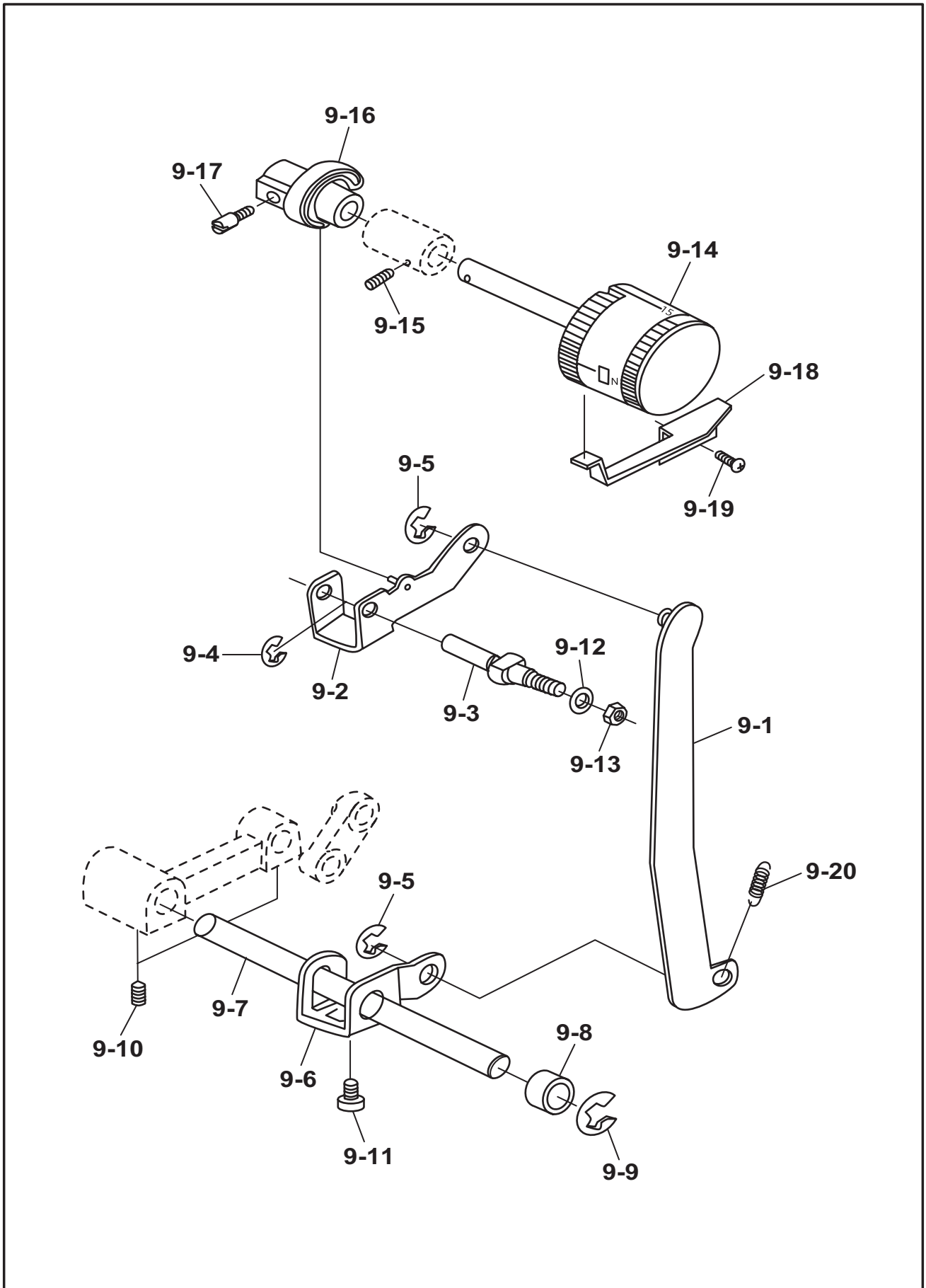
Pos	Part Number	Description
7-1	415 51 15-01	Feed lever (1)
7-2	N/A	Feed plate (1)
7-3	N/A	Feed lever pin
7-4	N/A	Felt
7-5	N/A	Feed dog adjusting plate ass'y
7-6	N/A	Adjust cam B
7-7	N/A	Feed lever (1) shaft
7-8	415 51 16-01	Set screw
7-9	N/A	Feed plate (2)
7-10	N/A	Feed lever (2)
7-11	N/A	Feed lever pin
7-12	N/A	Feed adjusting lever
7-13	N/A	Washer
7-14	416 00 01-01	Set screw
7-15	N/A	C-Ring
7-16	N/A	Washer
7-17	N/A	Feed rock link
7-18	415 53 20-01	Feed rock pin
7-19	415 53 24-01	Feed link pin
7-20	N/A	Feed regulator link
7-21	N/A	Felt
7-22	N/A	E-Ring
7-23	N/A	Washer
7-24	N/A	Washer
7-25	N/A	Set screw
7-26	N/A	Feed cam
7-27	415 51 32-01	Set screw
7-28	N/A	Washer
7-29	N/A	Feed lifting link
7-30	N/A	Adjust cam

8. Differential feed & Feed dog ②



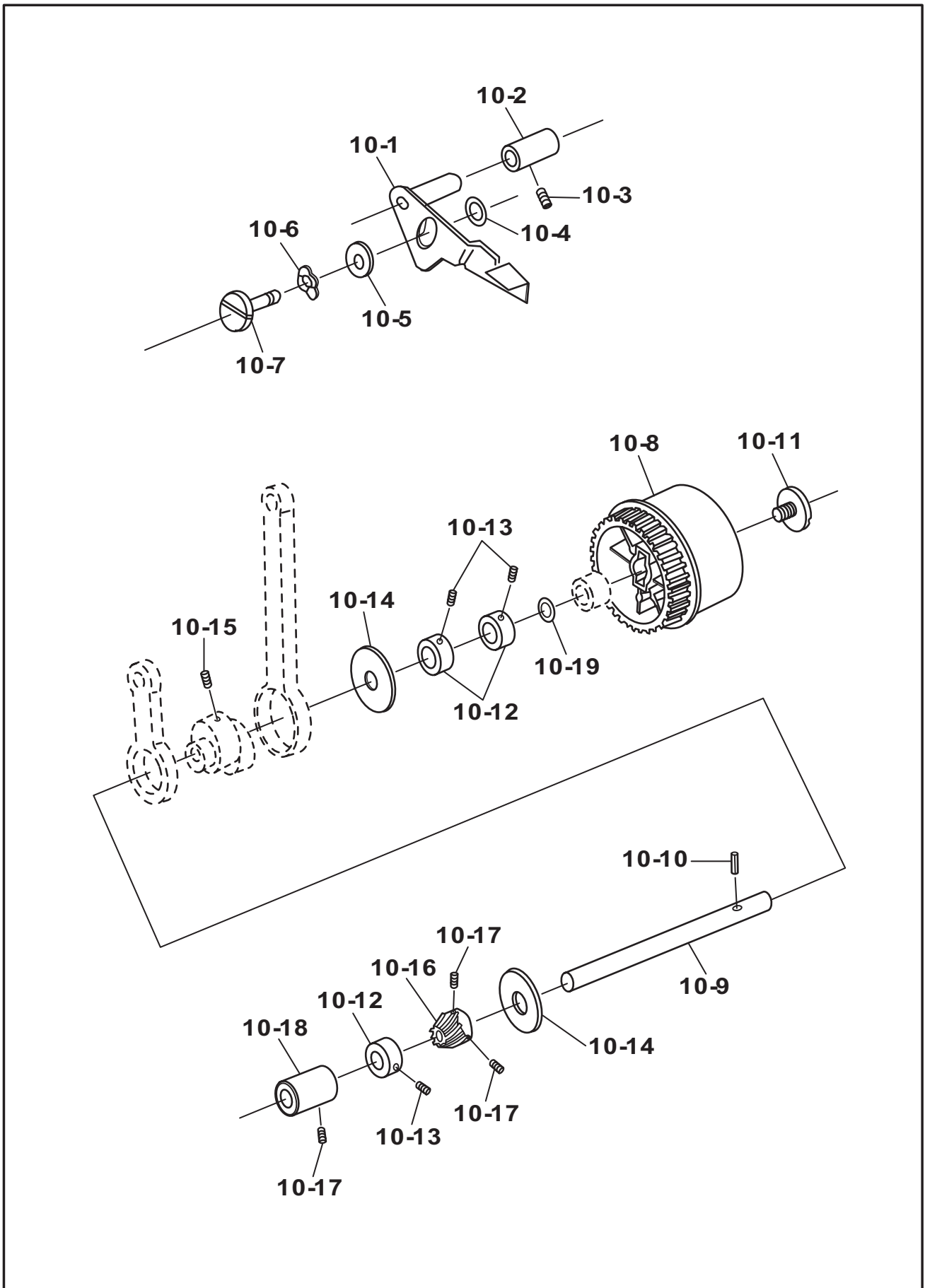
Pos	Part Number	Description
8-1	N/A	Feed bar arm (2) pin
8-2	N/A	Differential link (1)
8-3	416 00 01-01	Set screw
8-4	N/A	Differential link (2) pin
8-5	N/A	Differential link (2)
8-6	N/A	Felt
8-7	N/A	Differential link (3)
8-8	415 53 24-01	Feed link pin
8-9	415 51 60-01	Feed dog (2)
8-10	415 51 65-01	Feed dog (1)
8-11	415 51 61-01	Set screw
8-12	416 00 12-01	Set screw
8-13	415 51 63-01	Washer
8-14	N/A	Feed bar arm shaft
8-15	N/A	Feed bar collar
8-16	415 51 16-01	Set screw
8-17	416 00 01-01	Set screw
8-18	N/A	E-Ring
8-19	N/A	Feed bar arm spring (2)
8-20	N/A	Feed bar arm spring (1)

9. Differential feed & Feed dog ③



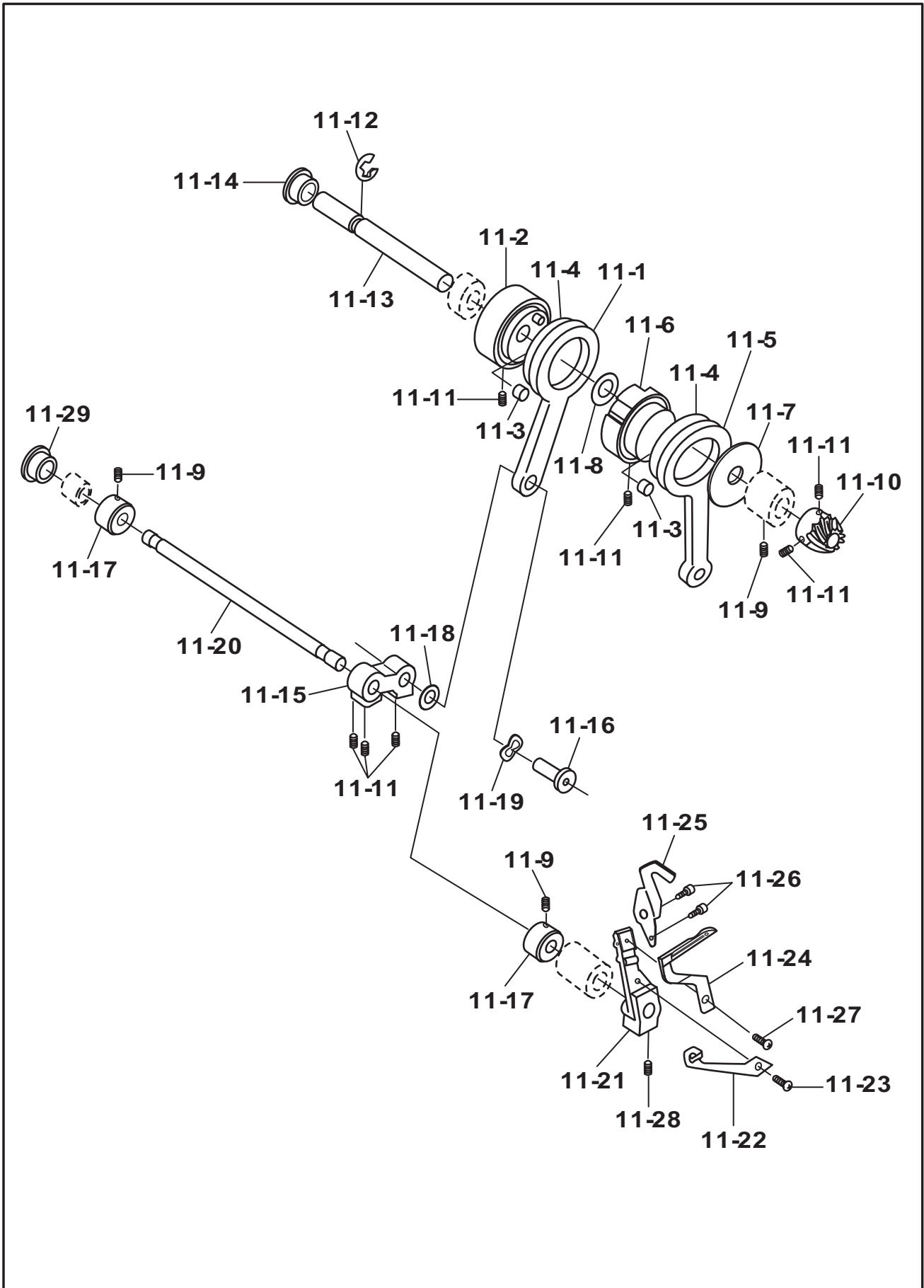
Pos	Part Number	Description
9-1	N/A	Differential link (6) ass'y
9-2	N/A	Differential link (5) ass'y
9-3	N/A	Differential feed link (5) shaft
9-4	416 00 32-01	E-Ring
9-5	N/A	E-Ring
9-6	N/A	Differential feed link (4)
9-7	N/A	Differential feed shaft
9-8	N/A	Differential feed link (4) collar
9-9	N/A	E-Ring
9-10	415 51 32-01	Set screw
9-11	N/A	Set screw
9-12	N/A	Washer
9-13	N/A	Nut
9-14	416 01 31-01	Differential dial
9-15	416 00 01-01	Set screw
9-16	415 50 99-01	Differential feed cam
9-17	N/A	Set screw
9-18	416 01 28-01	Differential dial spring
9-19	415 51 07-01	Set screw
9-20	N/A	Differential link (4) spring

10. Lower shaft



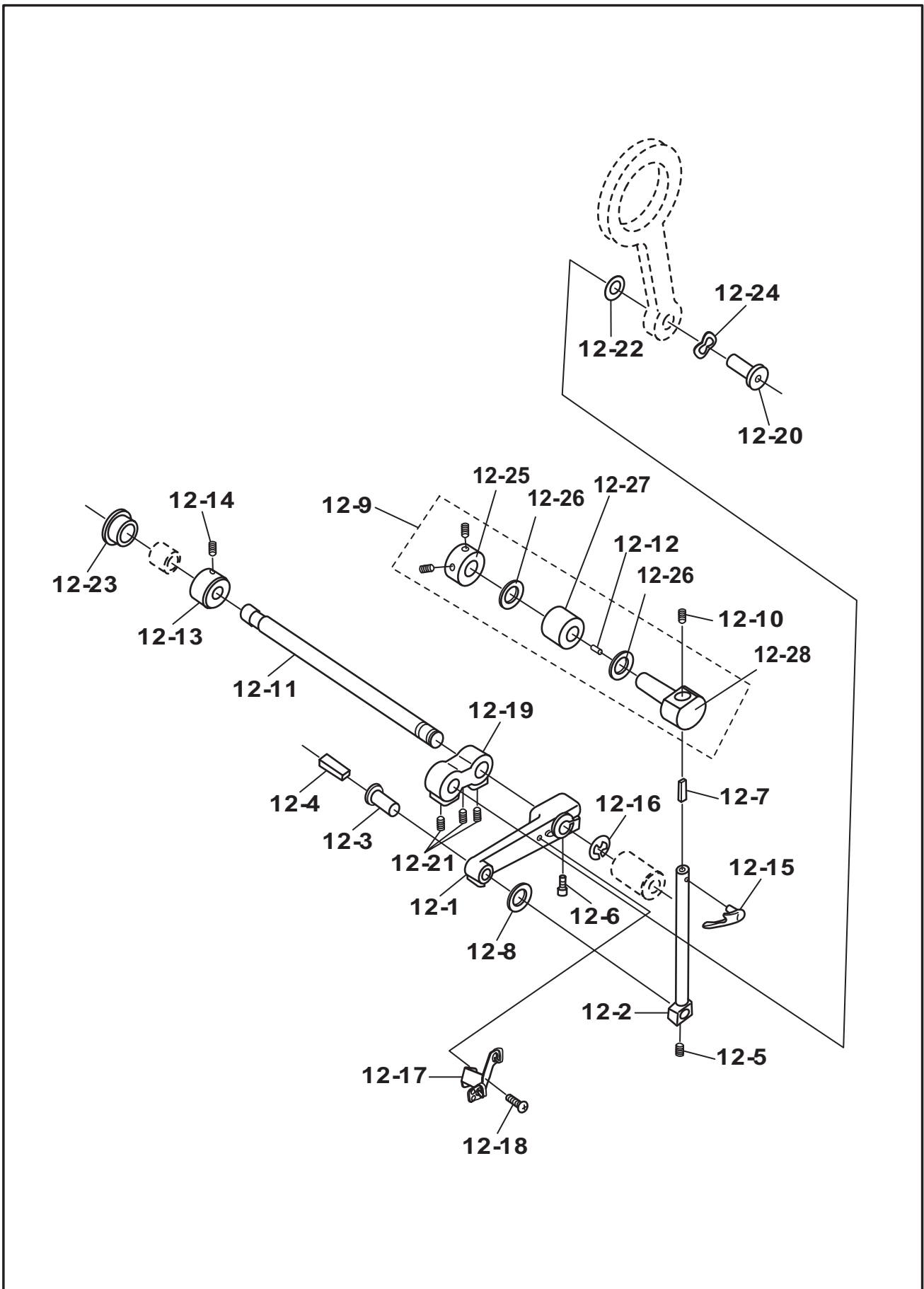
Pos	Part Number	Description
10-1	N/A	Feed regulator lever ass'y
10-2	N/A	Bushing
10-3	416 00 01-01	Set screw
10-4	N/A	Washer
10-5	N/A	Washer
10-6	N/A	Wave washer
10-7	N/A	Feed lever stud
10-8	416 00 92-01	Handwheel
10-9	415 51 78-01	Lower shaft
10-10	N/A	Spring pin
10-11	416 00 60-01	Set screw for handwheel
10-12	415 51 88-01	Collar
10-13	N/A	Set screw
10-14	N/A	Washer
10-15	415 51 32-01	Set screw
10-16	415 52 22-01	Lower shaft gear
10-17	416 00 01-01	Set screw
10-18	N/A	Lower shaft bushing-F
10-19	N/A	Washer

11. Lower looper



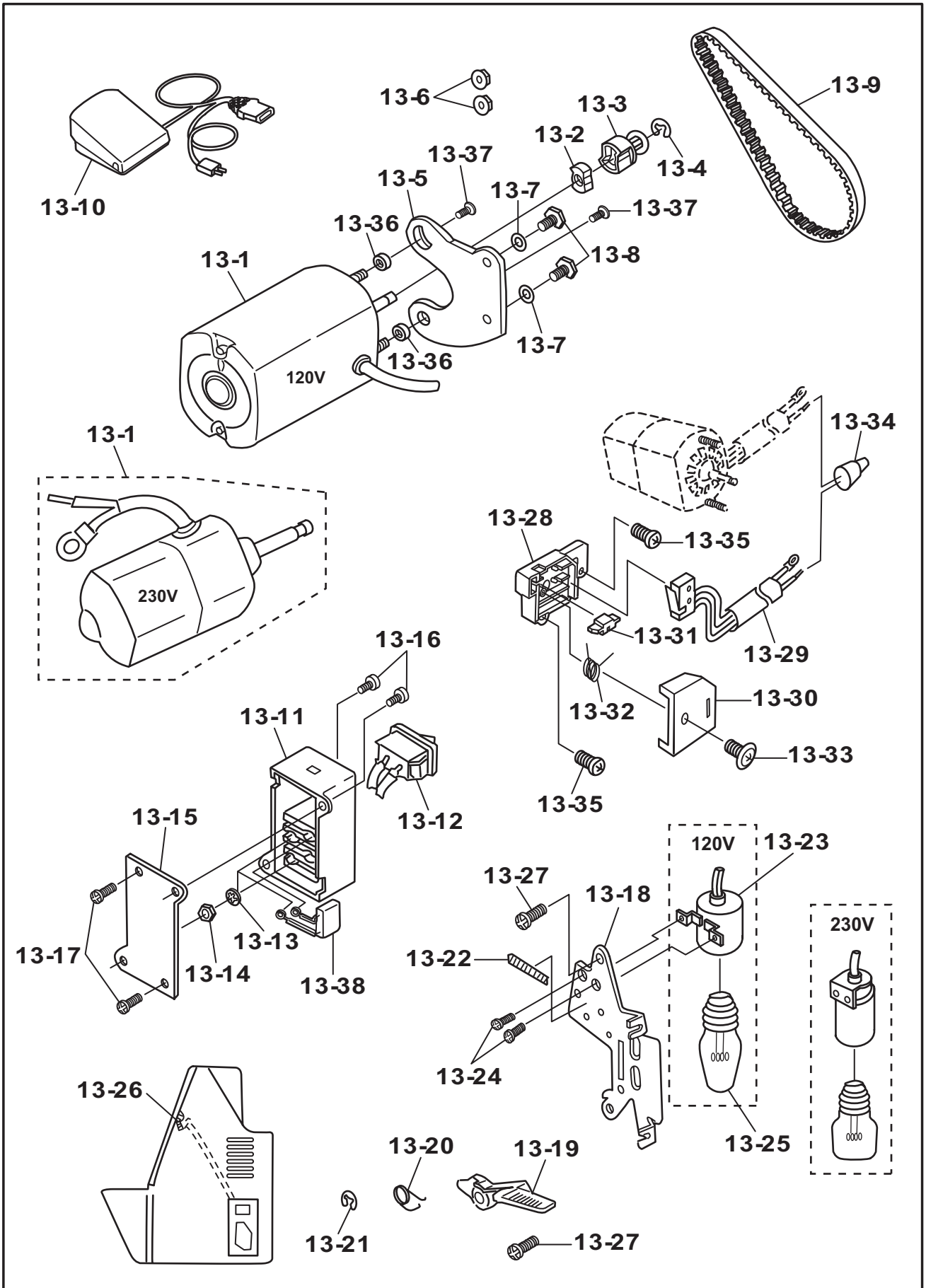
Pos	Part Number	Description
11-1	N/A	Drive link
11-2	N/A	Lower looper drive cam
11-3	N/A	Felt
11-4	N/A	Washer
11-5	N/A	Drive link
11-6	N/A	Upper looper drive cam
11-7	N/A	Washer
11-8	N/A	Washer
11-9	416 00 01-01	Set screw
11-10	415 52 62-01	Drive shaft gear
11-11	415 51 32-01	Set screw
11-12	N/A	E-Ring
11-13	N/A	Drive shaft
11-14	416 00 79-01	Drive shaft cap
11-15	N/A	Drive link lever
11-16	N/A	Drive link pin
11-17	N/A	Collar
11-18	N/A	Washer
11-19	N/A	Wave washer
11-20	N/A	Lower looper drive shaft
11-21	415 52 36-01	Lower looper stand
11-22	416 00 90-01	Lower looper thread guide
11-23	416 00 12-01	Set screw
11-24	415 52 38-01	Lower looper
11-25	415 52 39-01	Needle guide
11-26	415 52 40-01	Hexagon screw
11-27	416 00 13-01	Set screw
11-28	415 52 37-01	Hexagon screw
11-29	N/A	Lower shaft cap

12. Upper looper



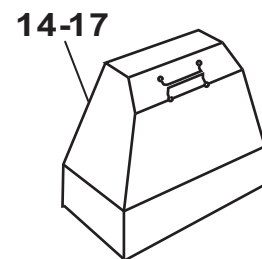
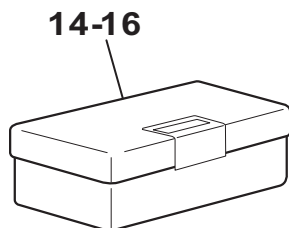
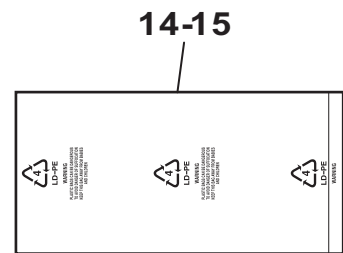
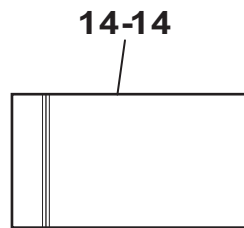
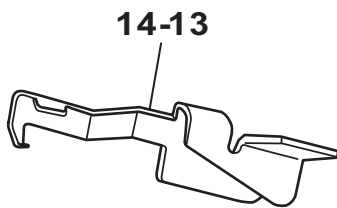
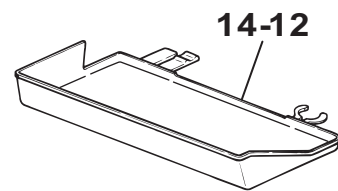
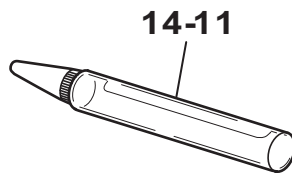
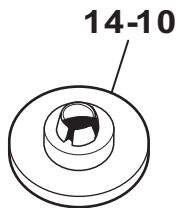
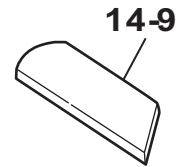
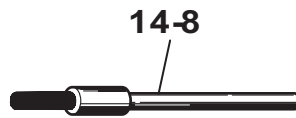
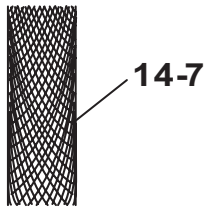
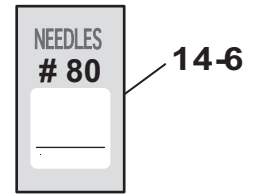
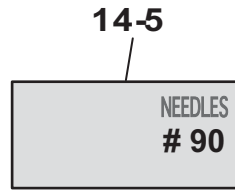
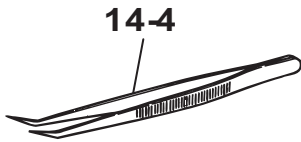
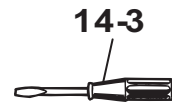
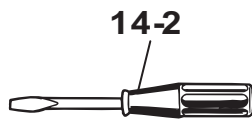
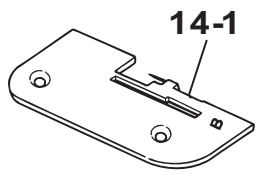
Pos	Part Number	Description
12-1	415 52 08-01	Looper drive lever
12-2	416 01 45-01	Upper looper stand shaft
12-3	N/A	Upper looper shaft pin
12-4	415 51 27-01	Felt
12-5	416 10 88-01	Set screw
12-6	N/A	Set screw
12-7	415 52 19-01	Felt
12-8	416 01 61-01	Washer
12-9	416 10 89-01	Upper looper fulcrum
12-10	415 51 16-01	Set screw
12-11	N/A	Upper looper driver shaft
12-12	N/A	Felt
12-13	N/A	Collar
12-14	416 00 01-01	Set screw
12-15	416 01 47-01	Upper looper
12-16	416 01 24-01	E-Ring
12-17	N/A	Looper take-up lever
12-18	415 51 07-01	Set screw
12-19	N/A	Drive link lever
12-20	N/A	Drive link pin
12-21	415 51 32-01	Set screw
12-22	N/A	Washer
12-23	N/A	Looper shaft cap
12-24	N/A	Wave washer
12-25	N/A	Collar
12-26	N/A	Washer
12-27	415 52 21-01	Bushing
12-28	416 00 89-01	Upper looper fulcrum

13. Motor & Foot control



Pos	Part Number	Description
13-1	416 10 92-01	Motor ass'y (USA)
	416 10 93-01	Motor ass'y (EU / AUST)
13-2	415 53 52-01	Cushion rubber
13-3	416 01 44-01	Motor pulley
13-4	416 00 32-01	E-Ring
13-5	N/A	Motor bracket
13-6	N/A	Nut (For USA Motor ass'y)
13-7	N/A	Washer
13-8	415 53 58-01	Set screw
13-9	415 53 59-01	Timing belt
13-10	N/A	Foot controller (USA)
	416 01 38-01	Foot controller (EU)
	N/A	Foot controller (AUST)
	412 80 18-01	Foot controller (ENG)
13-11	416 00 58-01	Receptacle
13-12	N/A	Switch (USA)
	416 00 95-01	Switch (EU / AUST)
13-13	416 00 51-01	Washer (For USA Motor ass'y)
	416 00 51-01	Washer (For EU / AUST Motor ass'y)
13-14	416 00 30-01	Nut (For USA Motor ass'y)
	416 00 30-01	Nut (For EU / AUST Motor ass'y)
13-15	415 53 60-01	Receptable cover
13-16	N/A	Set screw
13-17	N/A	Set screw
13-18	N/A	Presser bar lifter stand ass'y
13-19	416 00 72-01	Presser bar lift
13-20	416 00 71-01	Presser bar lifter spring
13-21	416 01 24-01	E-Ring
13-22	N/A	Light bulb plate (USA)
	N/A	Light bulb plate (EU / AUST)
13-23	N/A	Lampholder ass'y (USA)
	N/A	Lampholder ass'y (EU / AUST)
13-24	N/A	Set screw
13-25	N/A	Light bulb (110V / 15W) : USA
	415 50 85-01	Light bulb (240V / 15W) : EU / AUST
13-26	N/A	Fastener
13-27	415 53 07-01	Set screw
13-28	416 01 12-01	Lower switch cover
13-29	416 01 11-01	Front cover switch ass'y
13-30	416 01 51-01	Switch cover
13-31	416 01 53-01	Switch button
13-32	416 01 52-01	Switch knob spring
13-33	416 00 17-01	Set screw
13-34	416 01 39-01	End point
13-35	416 00 15-01	Set screw
13-36	416 00 45-01	Washer (For EU / AUST Motor ass'y)
13-37	416 00 20-01	Set screw (For EU / AUST Motor ass'y)
13-38	416 10 96-01	Condenser (For EU / AUST Motor ass'y)

14. Accessories



Pos	Part Number	Description
14-1	416 00 88-01	Needle plate
14-2	412 28 90-02	Screw driver -L-
14-3	412 28 90-01	Screw driver -S-
14-4	416 01 54-01	Pin cette
14-5	411 31 06-01	Needle 5 x # 90
	411 31 07-01	Needle 10 x # 90
14-6	411 31 04-01	Needle 5 x # 80
	411 31 05-01	Needle 10 x # 80
14-7	415 50 82-01	Net
14-8	401 55 55-01	Brush
14-9	415 50 84-01	Bottom messer
14-10	N/A	Spool guide (L)
14-11	415 50 89-01	Oiler
14-12	416 00 66-01	Waste tray
14-13	416 01 48-01	Two thread converter
14-14	N/A	Needle bag
14-15	N/A	Plastic bag
14-16	415 50 91-01	Accessory box
14-17	416 00 85-01	Dust cover